



▶ Mechanical safety switch PSENmech



PSEN me1



PSEN me2



PSEN me3



PSEN me4

... and the gate stays closed

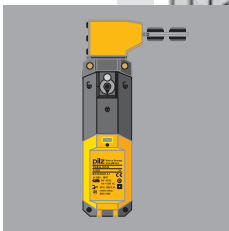
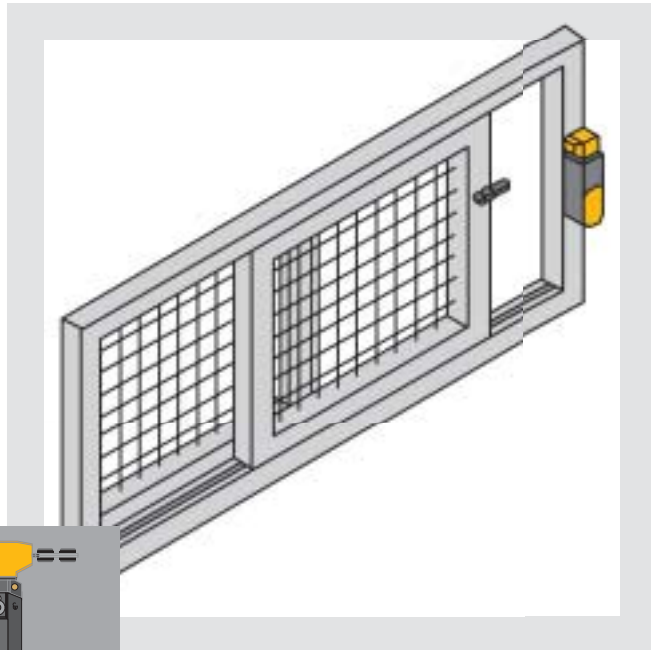
PSENmech mechanical safety switches are suitable for safe monitoring of a movable guard. They are triggered if the guards are opened, and the hazardous machine movement is stopped via a Pilz evaluation device.

Using increased extraction force on the actuator, PSENmech safety switches prevent the safety gate from being opened unintentionally. They comply with the standard EN 1088 (protection against defeat) due to their coded actuators.

PSENmech safety switches with guard locking ensure that the safety gate is interlocked (guard locking) until the hazardous production process is complete. They can also prevent production from being interrupted as a result of unauthorised access.

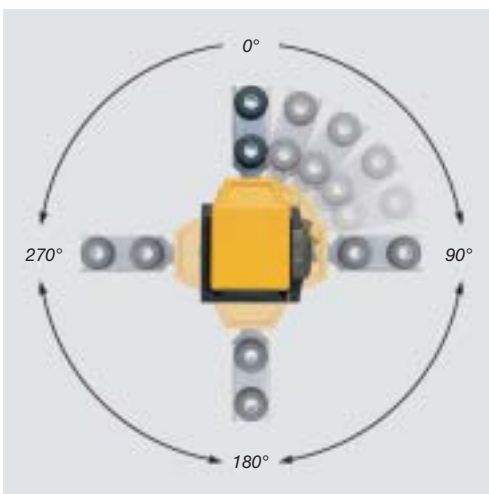
The appropriate PSENmech safety switch for each application

Type	PSEN me1	PSEN me2, PSEN me3, PSEN me4
Interlock	Spring force, magnetic force	-
Holding force	1,500 N	-
Auxiliary release	Yes	-
Actuator type	Standard, radius	Standard, radius
Extraction force	27 N	10, 30, 50, 100 N
Contacts	2 N/C, 2 N/O	1 or 2 N/C; 1 N/O
Supply voltage	24 VAC/DC, 24 VDC/24, 110, 230 VAC	-
Contact load - Utilisation category (AC-15)	230 V/2.5 A	240 V/1.5 A, 240 V/3.0 A
- Conv. therm. current	2.5 A	5, 10 A



Your benefits at a glance

- ▶ In conjunction with Pilz evaluation devices, a safe, complete solution for applications up to Performance Level e of EN ISO 13849-1 and SIL 3 of IEC 62061, or up to Category 4 of EN 954-1
- ▶ Flexibility and speed during installation plus high availability for your plant due to:
 - Compact design
 - Radius or standard actuator
 - Up to four horizontal and four vertical approach directions
 - Innovative connection technology
- ▶ Long product service life due to the robust design and high mechanical load capacity
- ▶ Suitable for a variety of applications due to the wide operating temperature range
- ▶ Housing is insensitive to dirt, dust-tight and waterproof to IP67



Universal actuation directions provide flexibility during installation.



Keep up-to-date on safety switches PSENmech:

 Webcode 0314

Online information at www.pilz.com



▶ Selection guide – Mechanical safety switch

Common features

- ▶ Safety switches for monitoring the position of movable guards in accordance with EN 60947-5-3
- ▶ Can be connected to all Pilz evaluation devices
- ▶ Directions of actuation:
 - PSEN me1: eight
 - PSEN me2, me3: four
 - PSEN me4: eight
- ▶ Contact load PSEN me1:
 - Utilisation category: AC-15: 230 V/2.5 A
 - Conv. thermal current: 2.5 A
- ▶ Dimensions (H x W x D, excl. actuator):
 - PSEN me1: 170 x 42.5 x 51 mm
 - PSEN me2: 75 x 52 x 33 mm
 - PSEN me3: 90 x 52 x 33 mm
 - PSEN me4: 100 x 31 x 30.5 mm
- ▶ Ambient temperature:
 - PSEN me1: -25 ... +70 °C/-13 ... +158 F
 - PSEN me2, me3, me4: -30 ... +80 °C/-22 ... +176 F
- ▶ Connection terminals:
 - PSEN me1: cage clamp terminals
 - PSEN me2, me3, me4: screw terminals
- ▶ Protection type:
 - PSEN me1: IP67
 - PSEN me2, me3, me4: IP65
- ▶ Plastic-bodied design

PSENmech mechanical safety switch with separate actuator and guard



PSEN me1S/1AS

Type	Interlock principle
PSEN me1S/1AS	Spring force
PSEN me1.1S/1AS	Spring force
PSEN me1S/1AR	Spring force
PSEN me1.1S/1AR	Spring force
PSEN me1M/1AS	Magnetic force
PSEN me1M/1AR	Magnetic force

PSENmech mechanical safety switch with separate actuator, PSEN me2,



PSEN me2S/2AS



PSEN me3S/2AR



PSEN me4/2AS

Type	Actuator type
PSEN me2S/2AS	Standard
PSEN me2.1/2AS	Standard
PSEN me2/2AR	Radius
PSEN me3/2AS	Standard
PSEN me3.01/2AS	Standard
PSEN me3.02/2AS	Standard
PSEN me3.02/2AR	Radius
PSEN me3/2AR	Radius
PSEN me3.1/2AS	Standard
PSEN me3.11/2AS	Standard
PSEN me3.1/2AR	Radius
PSEN me3.2/2AS	Standard
PSEN me3.21/2AS	Standard
PSEN me3.2/2AR	Radius
PSEN me4/4AS	Standard
PSEN me4.01/4AS	Standard
PSEN me4.1/4AS	Standard
PSEN me4.11/4AS	Standard
PSEN me4.2/4AS	Standard
PSEN me4.21/4AS	Standard

PSENmech

locking, PSEN me1 series

Actuator type	Contacts	Supply voltage	Auxiliary release	Holding force	Extraction force	Order number ¹⁾
Standard		24 VAC/DC	◆	1,500 N	Min. 27 N	570 000
Standard		24 VDC, 24, 110, 230 VAC	◆	1,500 N	Min. 27 N	570 002
Radius		24 V AC/DC	◆	1,500 N	Min. 27 N	570 001
Radius		24 VDC, 24, 110, 230 VAC	◆	1,500 N	Min. 27 N	570 003
Standard		24 VAC/DC	-	1,500 N	Min. 27 N	570 004
Radius		24 VAC/DC	-	1,500 N	Min. 27 N	570 005



¹⁾ Order number for safety switch and actuator (one unit).

PSEN me3, PSEN me4 series

	Contacts	Contact load		Extraction force	Order number ¹⁾
		Utilisation category AC-15	Conventional thermal current		
		240 V/1.5 A	5 A	10 N	570 200
		240 V/1.5 A	5 A	100 N	570 202
		240 V/1.5 A	5 A	10 N	570 201
		240 V/3.0 A	10 A	10 N	570 210
		240 V/3.0 A	10 A	100 N	570 211
		240 V/3.0 A	10 A	30 N	570 213
		240 V/3.0 A	10 A	30 N	570 214
		240 V/3.0 A	10 A	10 N	570 212
		240 V/3.0 A	10 A	10 N	570 220
		240 V/3.0 A	10 A	100 N	570 221
		240 V/3.0 A	10 A	10 N	570 222
		240 V/1.5 A	5 A	10 N	570 230
		240 V/1.5 A	5 A	100 N	570 231
		240 V/1.5 A	5 A	10 N	570 232
		240 V/3.0 A	10 A	10 N	570 240
		240 V/3.0 A	10 A	50 N	570 241
		240 V/3.0 A	10 A	10 N	570 245
		240 V/3.0 A	10 A	50 N	570 246
		240 V/1.5 A	5 A	10 N	570 251
		240 V/1.5 A	5 A	50 N	570 250

Technical documentation on safety relays PSENmech:

Webcode 0314

Online information at www.pitz.com