



Main

Range of product	Modicon M340 automation platform
Product or component type	Analog output module
Electrical connection	1 connector 20 ways
Input output isolation	Isolated

Complementary

Measurement error	0.1 % of full scale 25 °C <= 0.25 % of full scale 0...60 °C
Temperature drift	40 ppm/°C 4...20 mA 40 ppm/°C 0...20 mA 40 ppm/°C +/- 10 V
Recalibration	Factory calibrated
Isolation voltage	750 V DC between channels 1400 V DC between channels and bus 1400 V DC between channels and ground
Detection type	Short circuit +/- 10 V Open circuit 4...20 mA Open circuit 0...20 mA
Load impedance ohmic	>= 1000 Ohm +/- 10 V <= 600 Ohm 4...20 mA <= 600 Ohm 0...20 mA
Output level	High level
Analogue output number	2
Analogue output type	Voltage +/- 10 V Current 4...20 mA Current 0...20 mA
Analogue output resolution	15 bits + sign
Supply	Internal power supply via rack
Conversion time	<= 1 ms
Maximum conversion value	0...24 mA 4...20 mA 0...24 mA 0...20 mA +/- 11.25 V +/- 10 V +/- 10 V
Fallback mode	Configurable Predefined
Status LED	1 LED red I/O 1 LED red ERR 1 LED per channel green channel diagnostic 1 LED green RUN
Product weight	0.144 kg
Current consumption	110 mA at 24 V DC 150 mA at 3.3 V DC

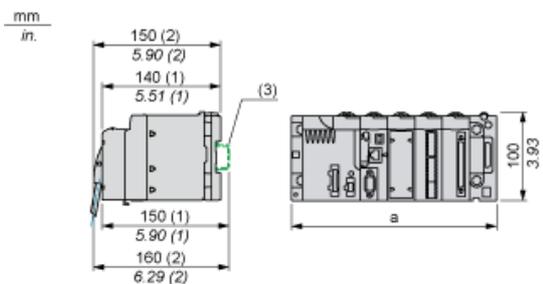
The information provided in this documentation contains general descriptions and/or technical characteristics of the performance of the products contained herein. This documentation is not intended as a substitute for and is not to be used for determining suitability or reliability of these products for specific user applications. It is the duty of any such user or integrator to perform the appropriate and complete risk analysis, evaluation and testing of the products with respect to the relevant specific application or use thereof. Neither Schneider Electric Industries SAS nor any of its affiliates or subsidiaries shall be responsible or liable for misuse of the information contained herein.

Environment

Ambient air temperature for operation	0...60 °C
Relative humidity	10...95 % without condensation
IP degree of protection	IP20
Protective treatment	TC

Modules Mounted on Racks

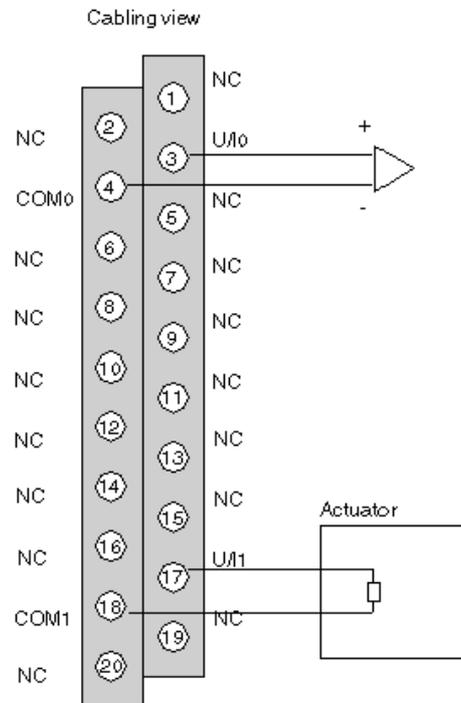
Dimensions



- (1) With removable terminal block (cage, screw or spring).
- (2) With FCN connector.
- (3) On AM1 ED rail: 35 mm wide, 15 mm deep. Only possible with BMXXBP0400/0400H/0600/0600H/0800/0800H rack.

Rack references	a in mm	a in in.
BMXXBP0400 and BMXXBP0400H	242.4	09.54
BMXXBP0600 and BMXXBP0600H	307.6	12.11
BMXXBP0800 and BMXXBP0800H	372.8	14.68
BMXXBP1200 and BMXXBP1200H	503.2	19.81

Wiring Diagram



U/Ix + pole input for channel x
 COMx pole input for channel x
 Channel voltage actuator
 0
 Channel current actuator
 1

The current loop is self-powered by the output and does not request any external supply.