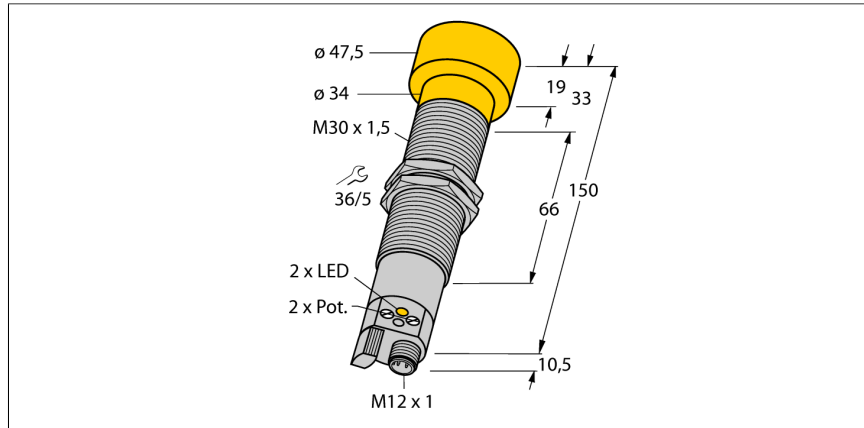
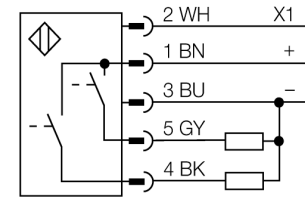


**Ultrasonic sensor
diffuse mode sensor
RUC300-M3047-2AP8X-H1151**



- Upper value of first and second switching range adjustable via potentiometer
- Further parameters adjustable via programming device RU-PDI (accessories)
- 2 PNP transistor outputs (NO contact)
- synchronizable
- opening angle of sonic cone 6°

Wiring diagram



Functional principle

Ultrasonic sensors use ultrasonic waves for non-contact and wear-free detection of many objects. Regardless of whether the object is transparent or opaque, metallic or non-metallic, or of liquid, solid or powdery consistency. Even environmental conditions such as spray, dust or rain hardly affect their function.

Type code	RUC300-M3047-2AP8X-H1151
Ident no.	1840420
Design	cylindrical/threaded, M30
Dimensions	Ø30x 160.5 mm
Housing material	Metal, CuZn, nickel-plated
Connection	male, M12 x 1
Protection class	IP65
Ambient temperature	-25...+70 °C
Switching state	• yellow
Operating voltage	20...30VDC
DC rated operational current	≤ 300 mA
No-load current I ₀	≤ 50 mA
Output function	2x NO, PNP
Switching frequency	2 Hz
Hysteresis	≤ 20 mm
Voltage drop at I ₀	≤ 3 V
Short-circuit protection	yes/ cyclic
Reverse polarity protection	complete
Wire breakage protection	yes
Range	40...300 cm
Ultrasound frequency	120 kHz
Repeatability	≥ ± 5 mm
Temperature drift	1.5% of full scale
Edge lengths of the nominal actuator	50 mm
Approach speed	≤ 16 m/s
Pass speed	≤ 5 m/s

**Ultrasonic sensor
diffuse mode sensor
RUC300-M3047-2AP8X-H1151**



Accessories

Type code	Ident no.	Description	Dimension drawing
RU-PDI	1890000	programming device for configuration of ultrasonic sensor types RU...-M18 and RUC...-M30	

Wiring accessories

Type code	Ident no.	Description	Dimension drawing
RKC4.5T-2/TEL	6625016	Connection cable, female M12, straight, 5-pin, cable length: 2 m, sheath material: PVC, black; cULus approval; other cable lengths and qualities available, see www.turck.com	
WKC4.5T-2/TEL	6625028	Connection cable, female M12, angled, 5-pin, cable length: 2 m, sheath material: PVC, black; cULus approval; other cable lengths and qualities available, see www.turck.com	