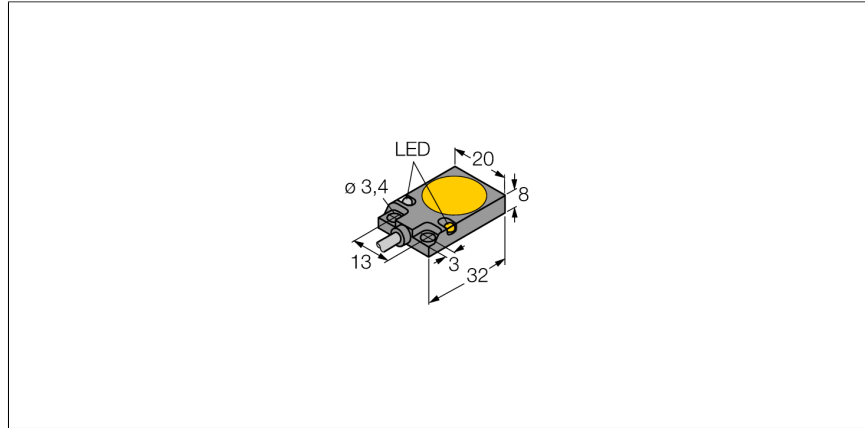
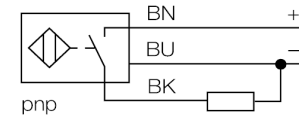


capacitive sensor
BC5-Q08-AP6X2/S250



- Rectangular, height 8 mm
- Active face on top
- Metal, GD-Zn
- Fixed settings
- DC 3-wire, 10...30 VDC
- NO contact, PNP output
- Cable connection

Wiring diagram



Functional principle

Capacitive proximity switches are designed for non-contact and wear-free detection of metal (electrically conductive) and non-metal (electrically non-conductive) objects.

Type	BC5-Q08-AP6X2/S250
Ident-No.	26200
Rated operating distance Sn	5 mm, flush mounting
Rated operating distance Sn	5 mm, non-flush mounting
Assured sensing range	≤ (0,72 x Sn) mm
Hysteresis	2...20
Temperature drift	≤ ± 20 %
Repeatability	≤ 2 %
Ambient temperature	-25...+70
Operating voltage	10...30
Residual ripple	≤ 10 % U _{SS}
DC rated operational current	≤ 200 mA
No-load current I ₀	≤ 15 mA
Residual current	≤ 0.1 mA
Switching frequency	≤ 0.1 kHz
Rated insulation voltage	≤ 0.5 kV
Output function	3-wire, NO contact, PNP
Short-circuit protection	yes/ cyclic
Voltage drop at I _e	≤ 1.8 V
Wire breakage / Reverse polarity protection	yes/ complete
Design	rectangular, Q08
Dimensions	32 x 20 x 8
Housing material	Metal, GD-Zn
Material active face	Plastic, PA12-GF30
Connection	cable
Cable quality	5.2, LifYY, PVC, 2
Cable cross section	3 x 0.25
Vibration resistance	55 Hz (1 mm)
Shock resistance	30 g (11 ms)
Protection class	IP67
Operating voltage	LED green
Switching state	LED yellow

capacitive sensor
BC5-Q08-AP6X2/S250



Accessories

Type code	Ident-No.	Short text	Dimension drawing
MW-Q08/Q10	6945007	Mounting bracket; material VA 1.4301	