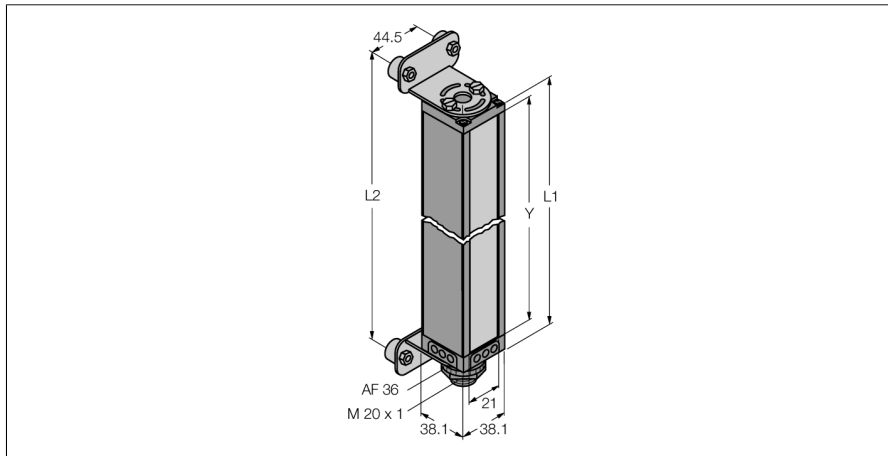


**measuring light screen  
receiver  
BMRL3632A**

**TURCK**

Industrial  
Automation



- Minimum target size 9.7 mm
- Scan field 895 mm
- max. sensing range 6.1 m
- Operating voltage 11.8...12.2 VDC (from controller)
- Protection class IP65
- adjustment via software

**Zasada działania**

Measuring light screens are ideally suited for precise detection and inspection tasks such as product profiling, sizing, edge and centre guiding, hole and parts detection and the like. Each system consists of an emitter, receiver and a controller module, which is equipped with several switching and analogue outputs, depending on the specific version. The device also enables data transmission via RS232 or R485, either in a binary or ASCII code format. The scan times depend on the height of the measuring array and the adjusted scan mode. Detailed information can be taken from the instruction manual.

<b>Typ</b>	BMRL3632A
Nr kat.	3038534
<b>Tryb pracy</b>	Kurtyna świetlna
Rozdzielczość optyczna	9.7 mm
Zasięg	600...6100 mm
Wysokość aktywna	895 mm
Temperatura pracy	-20...+70 °C
<b>Napięcie zasilania</b>	11.4... 14VDC
<b>Certyfikaty</b>	CE
<b>Wykonanie</b>	prostokątnościana, Mini Array
Wymiary	38.1 mm x 38.1 mm x 963 mm
Materiał obudowy	Metal, AL
Soczewka	tworzywo sztuczne, acrylic
Połączenie elektryczne	złącze kołnierzowe, 7/8"
Klasa ochrony	IP65